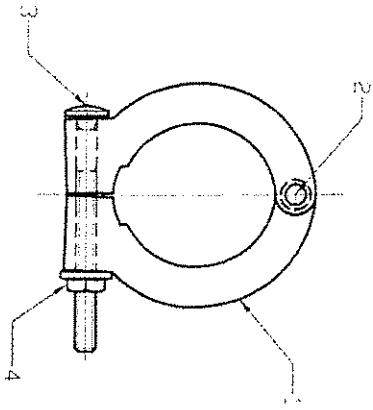


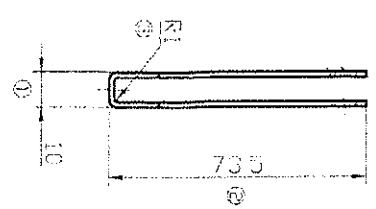
# 19500 Pipe Clamp for Feeders



Drawn By	RAIN	19500	12	2/20/11/2	AMT	Agricultural Mfg. & Textiles, Inc.	1-800-344-2358	www.amt-usa.com
1		2/11	1.5mm	19500-1				
2					19500-2	Ø5.3X		
	2.75"	1			19500-3	2.75		
4		1			19500-4	1/4-20X		
						7/16		



Part No.	19500	Rev	A-2	19500 Pipe Clamp for Feeders			Drawn	Checked	Appr'd	Date
(S / #) :										



1 : 2

W	±0.50
X	±0.45
Y	±0.30

Part No.	19500	Rev	A-2
19500 Pipe Clamp for Feeders			
Material	73.2	10	R1
Date	2007.9.26		

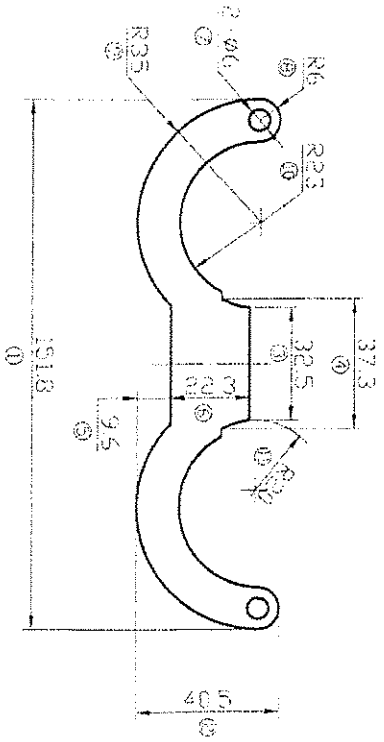
001-018					
R1-R6.5					

**AMT**  
 Agricultural Mfg. & Textiles, Inc.  
 1-800-344-2358 www.amt-usa.com

19500-B	A-1
19500	

### 19500 Pipe Clamp for Feeders

(S / #) :



1:2

X	±0.50
X	±0.15
XX	±0.30

K151.8	40.5	R35	R33	Ø6	22.3
--------	------	-----	-----	----	------

2007.9.26

Ø-Ø	Ø1-Ø18		
Ø-Ø			

**AMT**  
Agricultural Mfg. & Textiles, Inc.  
1-800-344-2358  
www.amt-usa.com